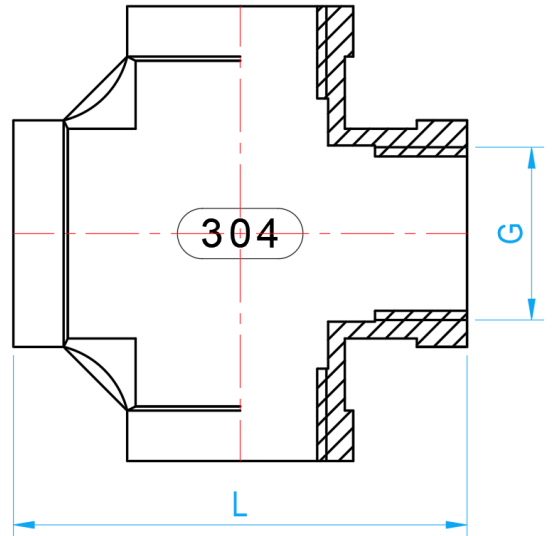


# STAINLESS STEEL 304 THREADED FITTINGS

## EQUAL CROSS TEE

COMPLY WITH BSEN1254-2:1998  
AS/NZS 4020:2018



CROSS SECTIONAL VIEW

### DIMENSIONS

SKU	SIZE (inch)	L (mm)	WEIGHT (kg)	PCS/CTN
SS304CT015	½"BSPT	54.2	0.123	150
SS304CT020	¾"BSPT	63.5	0.170	100
SS304CT025	1"BSPT	74.2	0.272	50
SS304CT035	1¼"BSPT	86.0	0.388	48
SS304CT042	1½"BSPT	94.5	0.513	25
SS304CT050	2"BSPT	112.0	0.768	12